

JM TempSense



JM TempSense is a user-friendly innovative temperature sensor with a built in capability to directly deliver 4-20 mA output. This 4-20mA output is delivered from the sensor independent of the requirement of any converter in-between. The 4-20 mA output helps the user with an ease to integrate the sensor with a wide range of industrial field devices including PLC and other peripheral devices. JM TempSense is made to cater all the applications which demand on and off the surface temperature measurement. It's easy to clamp on capability increases the versatility and suitability for various industrial applications.

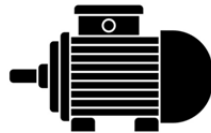
J-TM
SERIES

Temperature Sensing

Value to the User

- Easy and quick bolt on mounting facility saving installation time
- Works independently of any converter, heat transmitter saving additional costs
- Simple installation without the need to have special mounting holes/thermo-well improving ease to maintenance
- Universally applicable to all temperature sensing applications
- Quick response time improving process productivity

Applications



Motors



Bearing Block



Gearbox

Technical Specifications

Type code	JMTT2WRTC1PFM1	JMTT2WRTC1PFM2
Function	Temperature sensor	
Sensing element used	2/3 wire RTD Pt100	
Mounting type	Clamp on sensor, mounting hole 6mm dia	
Temperature range (De.C.)	0-100	0-200
Output (mA)	4-20 linearized (on 2 wire transmitter)	
Non linearity at full scale (%)	0.1%	
Max input resistance (Ohm)	500	
Supply voltage (VDC)	16 to 36 (Recommended 24 VDC)	
Housing material	ABS	
Ambient temperature (Deg. C.)	-20 to +55	
Electrical connection	2 wire, cable 2m built in with the sensor	
Protection class	IP65	
	" Special types / cable lengths available on request	

User Facilities

- User-Friendly Installation**

User can easily install the sensor due to its quick bolting facility



- Integration with PLC**

The output of the sensor can be directly fed to the PLC in order to obtain and analyze the readings



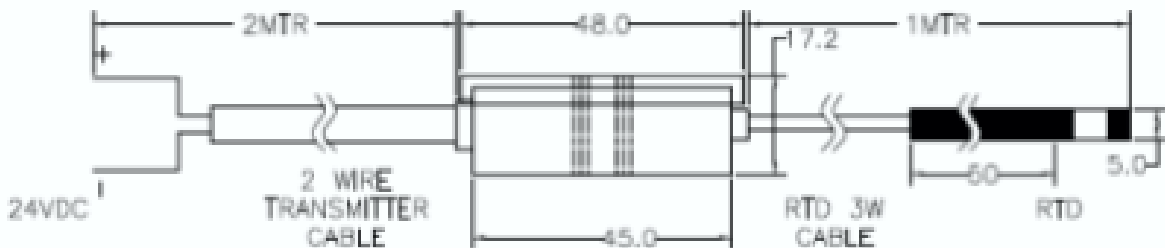
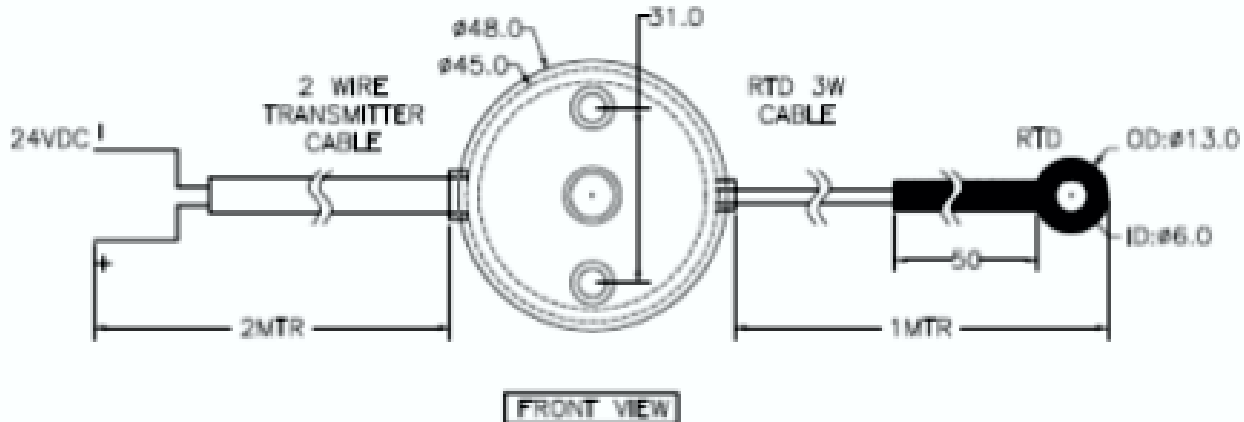
- Integration with Third Party Hardware**

Can be integrated with any additional hardware to make it suitable for specific applications. This increases the versatility of applications



J-TM
SERIES

- JM Laser Assist OVERALL DIMENSION**



Temperature Sensing

